

# PV-PH10W

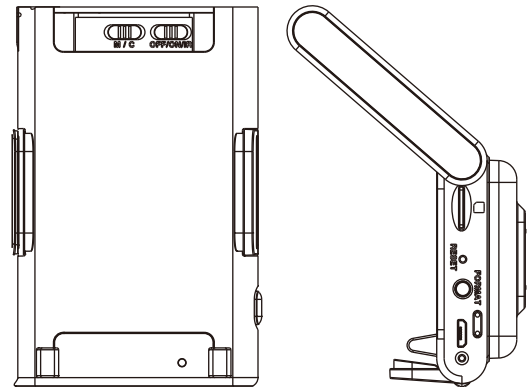
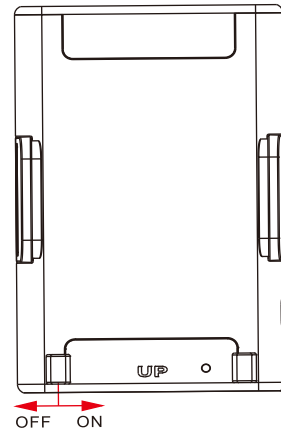
## FHD Car Mount Holder DVR for Smartphone Wi-Fi Based DVR with 3MP Camera

### Feature

- Built-in Wi-Fi allows you to control, view, and download video from your smartphone
- View live streaming video through your smartphone or tablet
- Infrared ray night vision to adopt low light conditions or for night recording
- Full HD Continuous/ Motion detection recording
- Easy mounting for you to find the ideal recording view
- Compatible with smartphone width up to 8cm
- 360 degree swivel tip design mount allows viewing angle adjustment
- Suction mount for mounting on dashboard or windshield
- 1080p high definition video 1920x1080 @30fps .avi format
- LED indicators to show device status



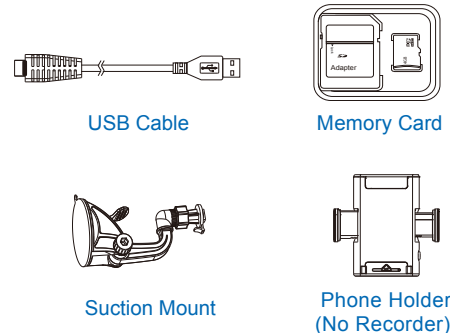
### Product Sketch



### Specification

Built-in Camera Module	
Built-in Image Sensor	1/3" progressive CMOS sensor
Sensor Resolution	2304x1536
Sensor Sensitivity	3.3 Lux @ F 2.0 (IR OFF)
Lens F/No.	F3.2
Focal Length	4mm
Angle of View	66°
Video Spec.	
Algorithm	H.264
File Format	MOV
Video Recording Mode	Manual
Recording Capability	1920x1080
Frame Rate	Up to 30 fps
Photo Capability	5M (2952x1944)
Wi-Fi Spec.	
Wi-Fi	Built-in Wi-Fi Module (IEEE 802.11b/g/n)
Wi-Fi Protocol	RTSP
Storage & I/O	
Memory Type	Memory Card (Support up to 32GB)
Data Interface	Mini USB 2.0
Misc.	
Date/Time Table	YYYY/MM/DD, HH:MM:SS
Snapshot	recording and playback video (via smartphone)
Power	
Power Input	DC 5V
Power Consumption	350mA-380mA (IR OFF) (IR ON+330mA)(Wi-Fi OFF) (Wi-Fi ON+80mA)
Charging Time	120 min (800mA)
Battery Input	DC 3.7V / 1350 mA high polymers battery (XK384085)
Battery Lifetime	1080P (Wi-Fi OFF) (IR OFF)180min 1080P (Wi-Fi ON) (IR OFF)150min 1080P (Wi-Fi OFF) (IR ON)100min 1080P (Wi-Fi ON) (IR ON)80min 720P (Wi-Fi OFF) (IR OFF)195min 720P (Wi-Fi ON) (IR OFF)165min 720P (Wi-Fi OFF) (IR ON)115min 720P (Wi-Fi ON) (IR ON)95min WVGA (Wi-Fi OFF) (IR OFF)210min WVGA (Wi-Fi ON) (IR OFF)180min WVGA (Wi-Fi OFF) (IR ON)130min WVGA (Wi-Fi ON) (IR ON)110min
Recording Time	160min @ 1920x1080 resolution (16GB memory card)
Physical	
Dimension	110x105x36 (mm)
Weight	117g

### Standard Accessories



**CE/FCC Certified**

\*Specifications are subject to change without prior notice

Beling d.o.o.  
Franje Čandeka 23B  
51000 Rijeka, Croatia  
VAT No. HR 80249393012

Contact Us:  
Tel. +385 51 673 400  
Fax. +385 51 671 542

Mail:  
info@spyshopeurope.com  
sales@spyshopeurope.com