

Spektra Europe PIXEL NANO 4G User Manual

- Made in the EU 4G Spy Bug
- Easy installation in cars or other indoor places
- High quality microphone

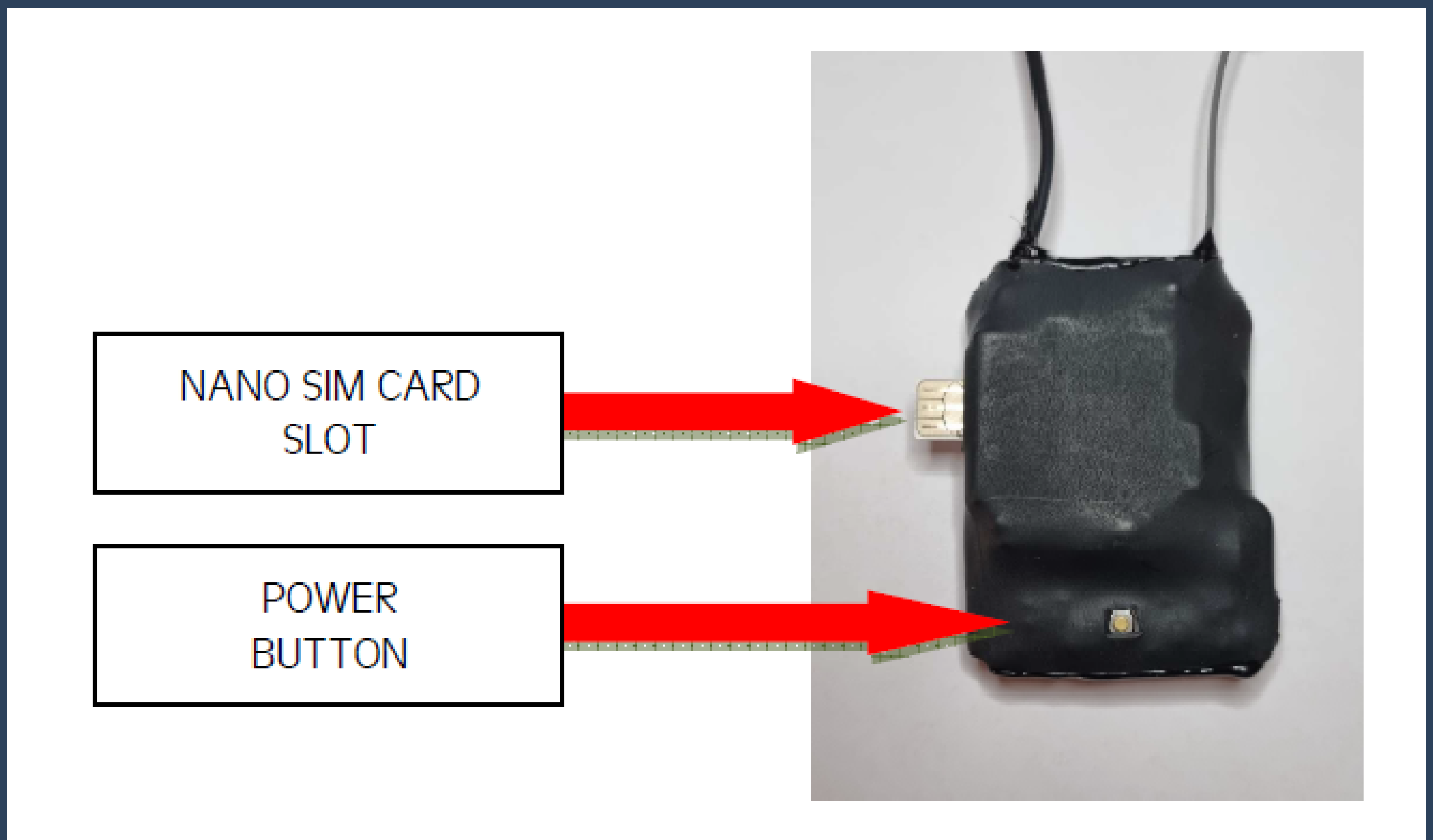


HOW TO USE:

Before inserting the SIM card into PIXEL NANO, follow these simple steps:

- Using a standard mobile phone, perform the following actions:
- Disable the PIN request on the SIM card that you want to use.
- Remove any conference calls, call transfers, or answering service.
- If using a prepaid SIM, check the credit on the account.

1. Insert the NANO-SIM card as shown in the picture below.



2. To power on the module, press and hold the power button located near the micro-USB port for at least 5-7 seconds. Once the yellow LED flashes, it indicates that the module is now turned on.

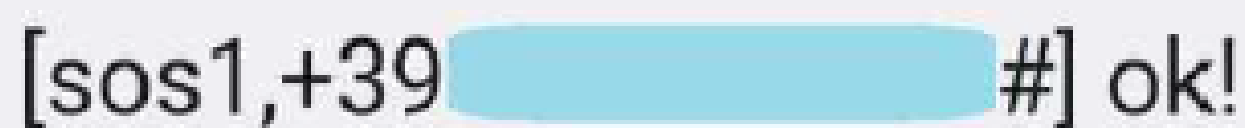
3. To send SMS commands, follow the instructions below and make sure to use only lowercase characters. Wait approximately 40-50 seconds between sending each SMS command. This will allow the network enough time to deliver the message and for the PIXEL unit to decode, respond, and delete it.

To set the admin phone number, use the following SMS command: **pw,123456,sos1,+39...#** (Note: replace the dots with the desired phone number, including the international prefix such as +39..., +33..., +44..., etc.) Please note that if the admin phone number is programmed, the device will only accept calls from that specific number. The default password is 123456. After sending the SMS command, you will receive a response message from the PIXEL NANO 4G, which will confirm the successful execution of the command.

Important: Always remember to include the hash character (#) at the end of the SMS command.



pw,123456,sos1,+39 [redacted]
[redacted] #



[sos1,+39 [redacted] #] ok!

VOICE COMMANDS

- pw,123456,von,x#

enable the shock sensor recall and set the motion sensitivity
x = 1 high sensitivity, a little movement is enough to trigger the unit.

x = 6 low sensitivity, a long and durable movement is necessary to trigger the unit.

It's possible to be used together with the VOX function

- pw,123456,von,0#

disable the shock sensor recall

- pw,123456,non,1#

enable the VOX recall sensor

- pw,123456,non,0#

disable the VOX recall sensor

- pw,123456,mod,x#

set the method of recall alarm of the module

x = 1 phone voice recall and sms alert

x = 2 only phone voice recall

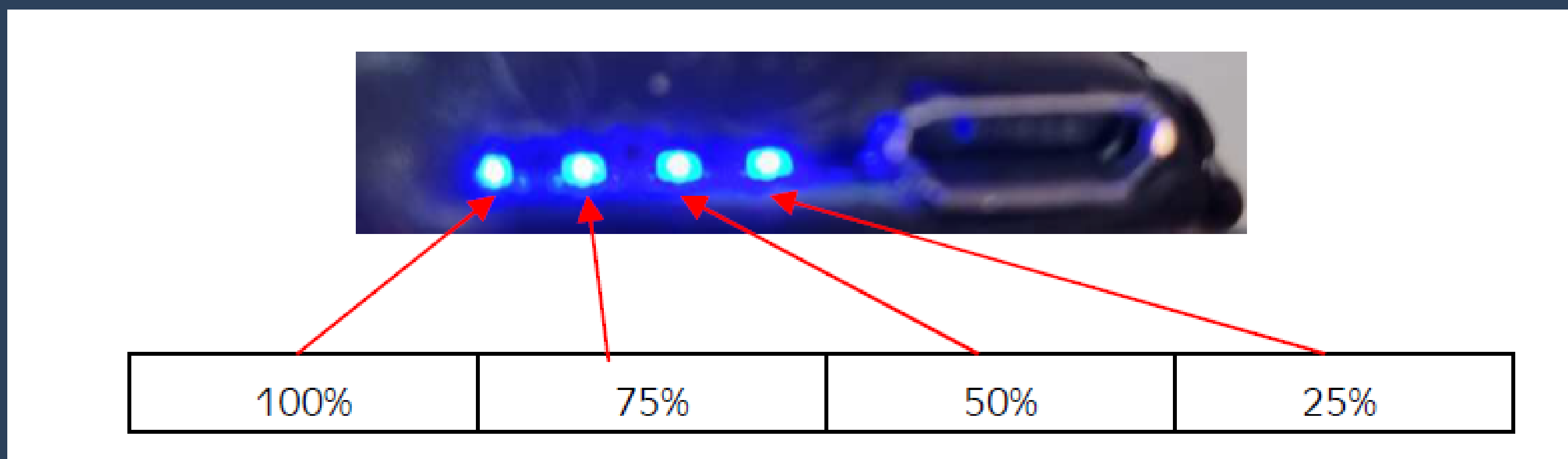
x = 3 only sms alert

- pw,123456,reset#

RESET THE UNIT

BATTERY AND LED INDICATORS

To check the battery level of the PIXEL NANO 4G, four blue LEDs are located near the Micro USB port and they indicate the power level. The Li-Ion battery can be recharged via the micro USB port. To view the battery level, press the power button once and the number of LEDs that light up indicates the battery level.



The PIXEL NANO 4G sends an automatic SMS alert to the admin number when the battery level is low.