

# BU-18Neo(Cone)

**Full HD Button Camera**  
**2 Mega Pixel Sensor**  
**1080p Ready!**

## Feature

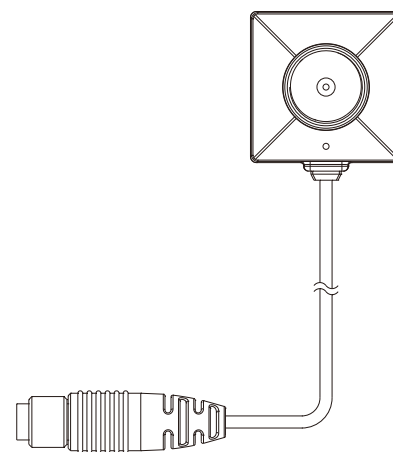
- Adopt locking din plug to ensure firm connection
- 2.2MP CMOS pinhole button camera
- 1080p, 0.1 Lux @ F2.0 (50IRE) great low-light sensitivity
- Self-contained invisible microphone, single cable design
- Adopts lightweight, ultra-thin design cables
- 78 degrees of view angel
- Provides flexibility to disguise
- Low cost while with high performance solution
- Compatible with PV-500Neo & PV-500Neo Pro

## Specification

Item Number	BU-18Neo(Cone)
Image Sensor	1/2.9" Progressive CMOS Sensor
Pixel Size	2.8um(H)x2.8um(V)
Resolution	1920(H)x1080(V)
Low Light Sensitivity	0.1 LUX @ F2.0
Lens F/No	F2.0
Angle of View	78 Degree
Depth of View	50 cm ~ ∞
Electronic Shutter	1/8~1/30,000
Video Output	12C Data
Power Supply Current	220 mA
MIC Sensitivity	Yes
Operating Temperature	-10 degrees ~ 60 degrees
Operating Humidity	20 ~ 90%
Power Supply Voltage	DC3.3V+/-0.5V
Dimension	25(W)x25(H)x17(L) mm
Weight	22 g



## Product Sketch



**CE/FCC Certified**

## Optional Accessories



**PV-500Neo**  
( Wi-Fi based DVR )



**PV-500Neo Pro**  
( Wi-Fi based DVR  
with screen )

\*Specifications are subject to change without prior notice.